

PRODUCT DATA SHEET

V:KO
by **Panasonic**

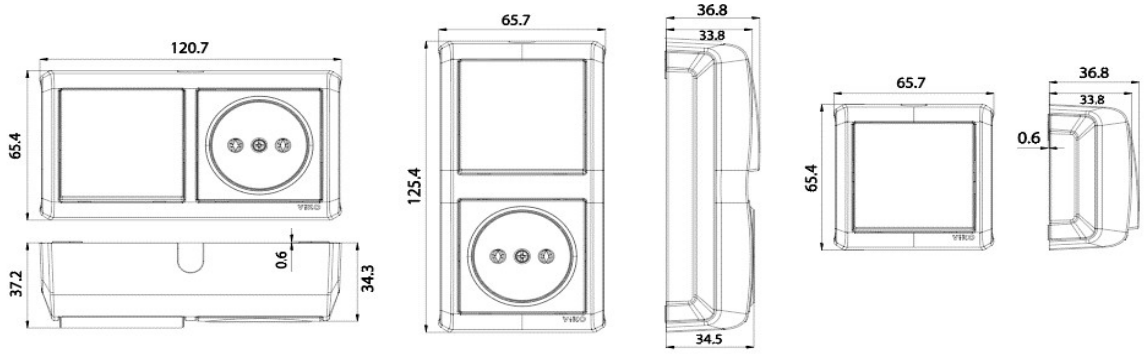
Product Name :	TV Socket, Terminated Mechanism+Cover
Product Code :	90681010
Product Series :	Vera
Material :	
<i>Outer Body :</i>	PP
<i>Cover :</i>	ABS
<i>Mechanism :</i>	PC
Certificates :	CE, PGD, WEEE
IP Degree:	IP20



Product Details:

- Suitable for central antenna and CATV.
- Not affected by the parasite signals coming from the air for shielding feature.
- Ease of assembly thanks to the cover with hinge.
- RG 6 U6 type wire connection is recommended for the image quality.
- Frequency range is 5...74 / 120...862 MHz.
- Through loss (dB) $\leq 3,5$ dB.
- Connector type is IEC-Male.

Dimensions:



Panasonic Electric Works Elektrik.San. ve Tic. A.Ş.

Abdurrahmangazi Mah. Ebubekir Cad. No: 44 Sancaktepe / İstanbul Tel: 0216 564 55 55 Fax: 0216 564 55 44
ewr.panasonic.com