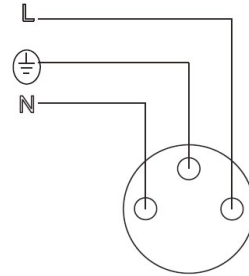


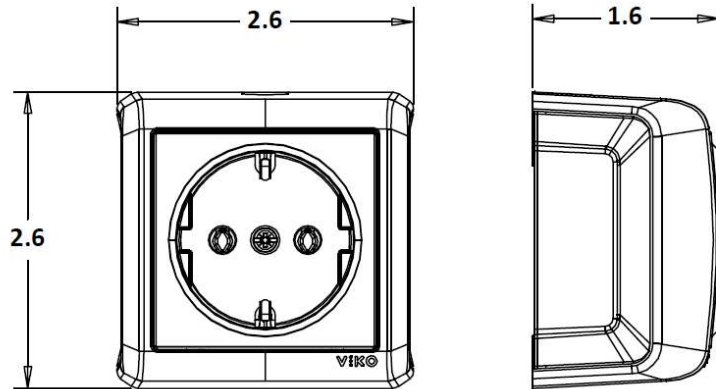
PRODUCT DATA SHEET

Product Name :	Vera White Earthed Socket
Product Code :	90681008
Product Series :	Vera
Technical Specifications :	
<i>Rated Current :</i>	16AX 250V~
<i>Socket Function :</i>	2P+E
<i>Terminal Type :</i>	Screw Terminal
Materials :	
<i>Outer Body :</i>	Glass-Fibre reinforced PP
<i>Rocker :</i>	ABS
<i>Mechanism :</i>	PC
Certifications :	TSE, VDE, EAC
Cable Standard:	
<i>Cable Diameter :</i>	1mm ² -2,5mm ²
<i>Applicable Cable:</i>	Solid Wire, Stranded Wire
IP Degree:	IP20

Wiring and Circuit Diagram:



Dimensions:



Panasonic Electric Works Elektrik.San. ve Tic. A.Ş.

Abdurrahmangazi Mah. Ebubekir Cad. No: 44 Sancaktepe / İstanbul Tel: 0216 564 55 55 Fax: 0216 564 55 44

ewtr.panasonic.com

V:KO
by **Panasonic**



Screw
Terminal