

PRODUCT DATA SHEET

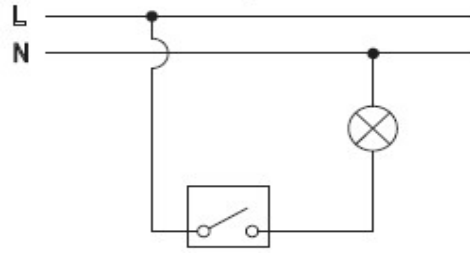
V:KO
by **Panasonic**

Product Name :	Vera White One-Way Switch
Product Code :	90681001
Product Series :	Vera
Technical Specifications :	
<i>Rated Current :</i>	10AX, 250V~
<i>Switch Function :</i>	One-Way
<i>Terminal Type :</i>	Screw Terminal
Materials :	
<i>Outer Body :</i>	Glass-Fibre reinforced PP
<i>Rocker :</i>	ABS
<i>Mechanism :</i>	PC
Certifications :	TSE, VDE, NF, EAC, CE
Cable Standard:	
<i>Cable Diameter :</i>	1mm ² -2,5mm ²
<i>Applicable Cable:</i>	Solid Wire, Stranded Wire
IP Degree:	IP20

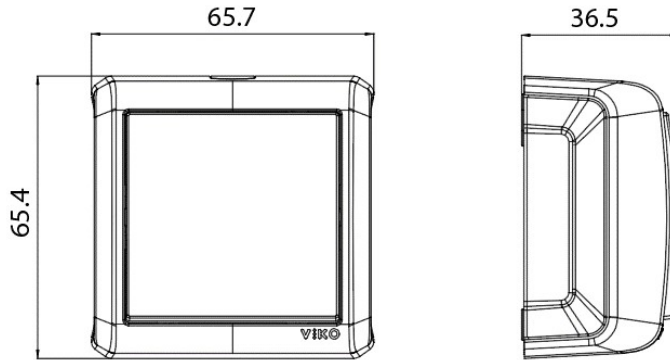


Screw
Terminal

Circuit Diagram:



Dimensions:



Panasonic Electric Works Elektrik.San. ve Tic. A.Ş.
Abdurrahmangazi Mah. Ebubekir Cad. No: 44 Sancaktepe / İstanbul Tel: 0216 564 55 55 Fax: 0216 564 55 44
ewtr.panasonic.com