

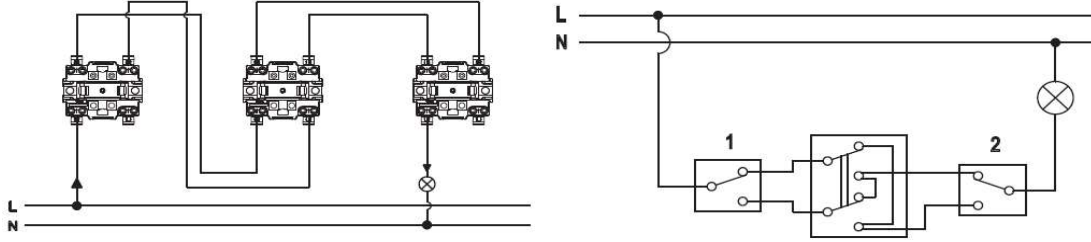
PRODUCT DATASHEET

V:KO
by **Panasonic**

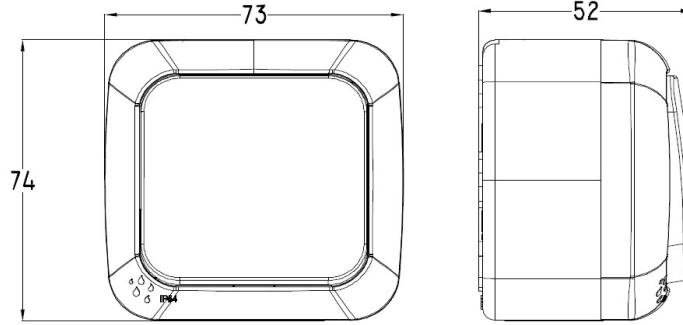
Product Name :	Intermediate Switch
Product Code :	90555*31
Product Series :	Palmiye
Technical Specifications:	
Rated Current :	10AX, 250V~, (For 10A; Rated LED/CFL Lamp load is 100W.)
Terminal Type :	Quick Connection
Material :	
Outer Body :	PP
Rocker :	ABS
Mechanism :	PC
Colour Options :	*=Shows colour item *=1 Black, *=4 White, *=5 Gray
Certificates :	CE, PGD, WEEE, VDE, EAC
Cable Standard :	
Cable Diameter :	1mm ² -2,5mm ²
Applicable Cable:	Solid Wire, Stranded Wire
IP Degree:	IP54



Wiring Diagram:



Dimensions:



Panasonic Electric Works Turkey Elektrik.San. ve Tic. A.Ş.
Abdurrahmangazi Mah. Ebubekir Cad. No: 44 Sancaktepe / İstanbul Tel: 0216 564 55 55 Fax: 0216 564 55 44
ewtr.panasonic.com