

## PRODUCT DATASHEET

**V:KO**  
by **Panasonic**

**Product Name :** One-Way Switch, Illuminated

**Product Code :** 90555\*19

**Product Series :** Palmiye

**Technical Specifications:**

*Rated Current :* 10AX, 250V~, (For 10A; Rated LED/CFL Lamp load is 100W.)

*Terminal Type :* Quick Connection

**Material :**

*Outer Body :* PP

*Rocker :* ABS

*Mechanism :* PC

**Colour Options :**

\*=Shows colour item

\*=1 Black, \*=4 White, \*=5 Gray

**Certificates :**

CE, PGD, WEEE, VDE, EAC

**Cable Standard :**

*Cable Diameter :* 1mm<sup>2</sup>-2,5mm<sup>2</sup>

*Applicable Cable :* Solid Wire, Stranded Wire

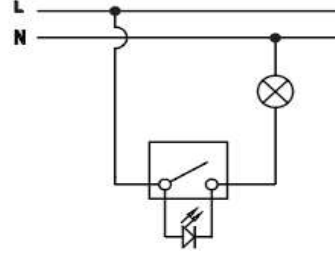
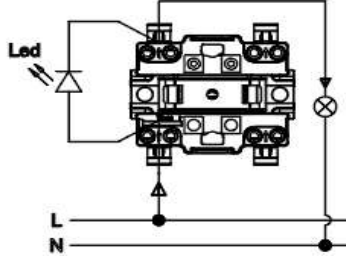
**IP Degree:**

IP54

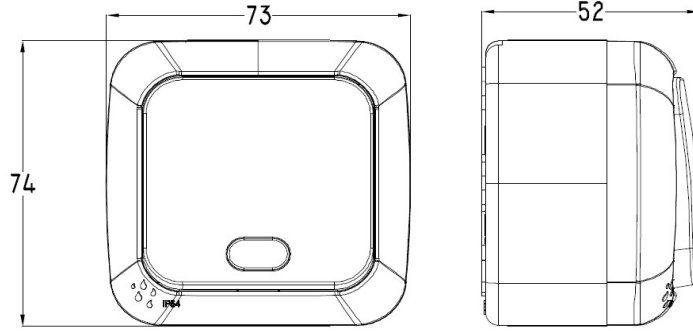


Screwless  
Terminal

**Wiring Diagram:**



**Dimensions:**



Panasonic Electric Works Turkey Elektrik.San. ve Tic. A.Ş.  
Abdurrahmangazi Mah. Ebubekir Cad. No: 44 Sancaktepe / İstanbul Tel: 0216 564 55 55 Fax: 0216 564 55 44  
ewtr.panasonic.com