

## PRODUCT DATASHEET

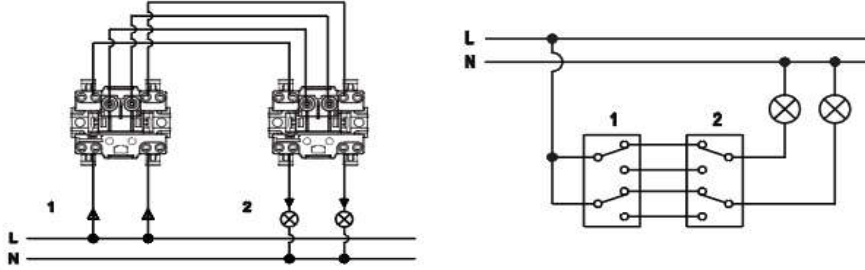


<b>Product Name :</b>	2-Gang Two-Way Switch
<b>Product Code :</b>	90555*17
<b>Product Series :</b>	Palmiye
<b>Technical Specifications:</b>	
Rated Current :	10AX, 250V~, (For 10A; Rated LED/CFL Lamp load is 100W.)
Terminal Type :	Quick Connection
<b>Material :</b>	
Outer Body :	PP
Rocker :	ABS
Mechanism :	PC
<b>Colour Options :</b>	*=Shows colour item *=1 Black, *=4 White, *=5 Gray
<b>Certificates :</b>	CE, PGD, WEEE, TSE, VDE, EAC
<b>Cable Standard :</b>	
Cable Diameter :	1mm <sup>2</sup> -2,5mm <sup>2</sup>
Applicable Cable:	Solid Wire, Stranded Wire
<b>IP Degree:</b>	IP54

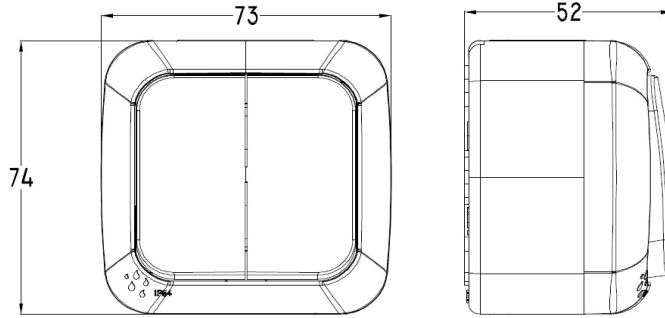


Screwless Terminal

### Wiring Diagram:



### Dimensions:



Panasonic Electric Works Turkey Elektrik.San. ve Tic. A.Ş.  
 Abdurrahmangazi Mah. Ebubekir Cad. No: 44 Sancaktepe / İstanbul Tel: 0216 564 55 55 Fax: 0216 564 55 44  
 ewtr.panasonic.com