

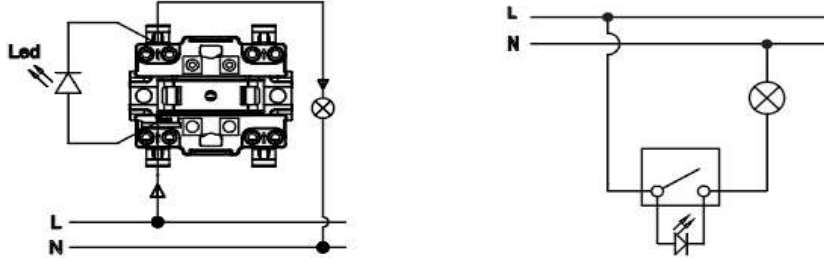
PRODUCT DATASHEET

V:KO
by **Panasonic**

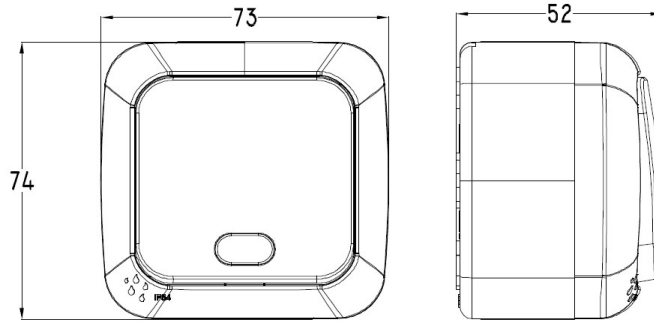
| | |
|----------------------------------|---|
| Product Name : | <i>Push Button, Illuminated</i> |
| Product Code : | <i>90555*14</i> |
| Product Series : | <i>Palmiye</i> |
| Technical Specifications: | |
| <i>Rated Current :</i> | <i>10AX, 250V~, (For 10A; Rated LED/CFL Lamp load is 100W.)</i> |
| <i>Terminal Type :</i> | <i>Quick Connection</i> |
| Material : | |
| <i>Outer Body :</i> | <i>PP</i> |
| <i>Cover :</i> | <i>ABS</i> |
| <i>Mechanism :</i> | <i>PC</i> |
| Colour Options : | *=Shows colour item *=1 Black, *=4 White, *=5 Gray |
| Certificates : | CE, PGD, WEEE, VDE, EAC |
| Cable Standard : | |
| <i>Cable Diameter :</i> | <i>1mm²-2,5mm²</i> |
| <i>Applicable Cable:</i> | <i>Solid Wire, Stranded Wire</i> |
| IP Degree: | IP54 |



Wiring Diagram:



Dimensions:



Panasonic Electric Works Turkey Elektrik.San. ve Tic. A.Ş.
Abdurrahmangazi Mah. Ebubekir Cad. No: 44 Sancaktepe / İstanbul Tel: 0216 564 55 55 Fax: 0216 564 55 44
ewtr.panasonic.com