

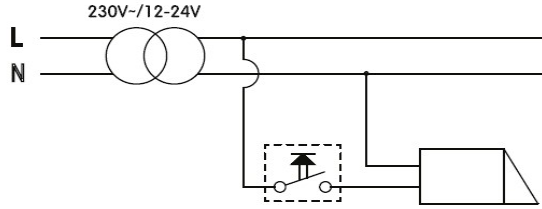
PRODUCT DATASHEET

V:KO
by **Panasonic**

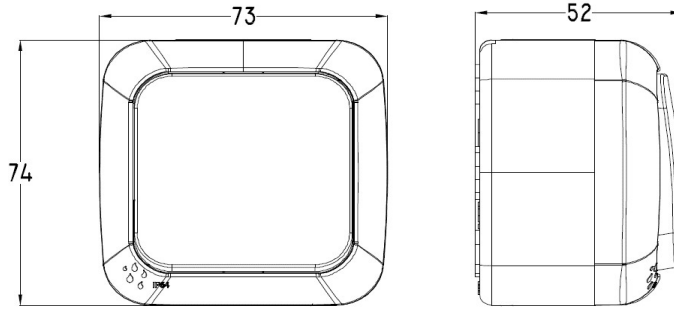
Product Name :	<i>Push Button With Key Symbol</i>
Product Code :	<i>90555*05</i>
Product Series :	<i>Palmiye</i>
Technical Specifications:	
<i>Rated Current :</i>	<i>10AX, 250V~, (For 10A; Rated LED/CFL Lamp load is 100W.)</i>
<i>Terminal Type :</i>	<i>Quick Connection</i>
Material :	
<i>Outer Body :</i>	<i>PP</i>
<i>Rocker :</i>	<i>ABS</i>
<i>Mechanism :</i>	<i>PC</i>
Colour Options :	*=Shows colour item *=1 Black, *=4 White, *=5 Gray
Certificates :	CE, PGD, WEEE, VDE, EAC
Cable Standard :	
<i>Cable Diameter :</i>	<i>1mm²-2,5mm²</i>
<i>Applicable Cable :</i>	<i>Solid Wire, Stranded Wire</i>
IP Degree:	IP54



Wiring Diagram:



Dimensions:



Panasonic Electric Works Turkey Elektrik.San. ve Tic. A.Ş.
Abdurrahmangazi Mah. Ebubekir Cad. No: 44 Sancaktepe / İstanbul Tel: 0216 564 55 55 Fax: 0216 564 55 44
ewtr.panasonic.com