

PRODUCT DATASHEET

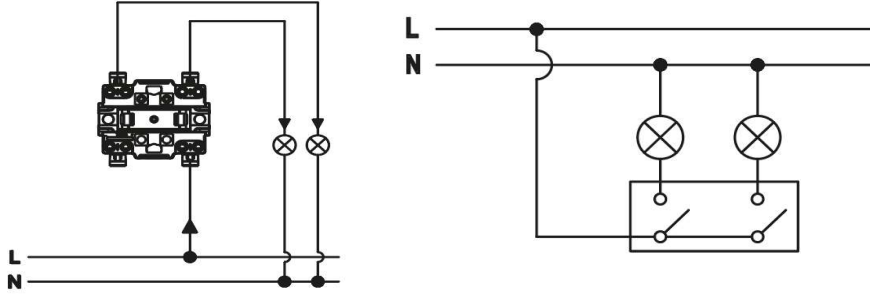
V:KO
by **Panasonic**

Product Name :	2-Gang One-Way Switch
Product Code :	90555*02
Product Series :	Palmiye
Technical Specifications:	
<i>Rated Current :</i>	10AX, 250V~, (For 10A; Rated LED/CFL Lamp load is 100W.)
<i>Terminal Type :</i>	Quick Connection
Material :	
<i>Outer Body :</i>	PP
<i>Rocker :</i>	ABS
<i>Mechanism :</i>	PC
Colour Options :	*=Shows colour item *=1 Black, *=4 White, *=5 Gray
Certificates :	CE, PGD, WEEE, TSE, VDE, EAC
Cable Standard :	
<i>Cable Diameter :</i>	1mm ² -2,5mm ²
<i>Applicable Cable :</i>	Solid Wire, Stranded Wire
IP Degree:	IP54

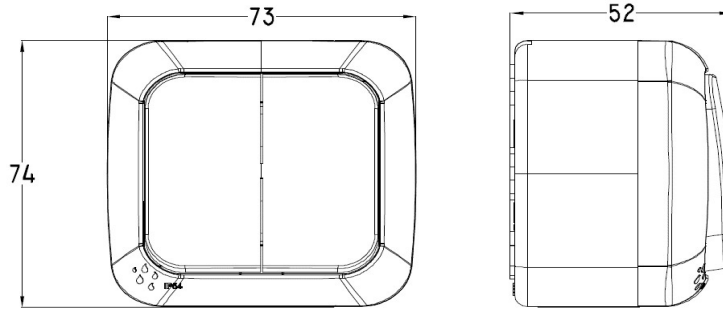


Screwless
Terminal

Wiring Diagram:



Dimensions:



Panasonic Electric Works Turkey Elektrik.San. ve Tic. A.Ş.
Abdurrahmangazi Mah. Ebubekir Cad. No: 44 Sancaktepe / İstanbul Tel: 0216 564 55 55 Fax: 0216 564 55 44
ewtr.panasonic.com