

PRODUCT DATASHEET

V:KO
by **Panasonic**

Product Name : One-Way Switch

Product Code : 90555*01

Product Series : Palmiye

Technical Specifications:

Rated Current : 10AX, 250V~, (For 10A; Rated LED/CFL Lamp load is 100W.)

Terminal Type : Quick Connection

Material :

Outer Body : PP

Rocker : ABS

Mechanism : PC

Colour Options :

*=Shows colour item

*=1 Black, *=4 White, *=5 Gray

Certificates :

CE, PGD, WEEE, TSE, VDE, EAC

Cable Standard :

Cable Diameter : 1mm²-2,5mm²

Applicable Cable: Solid Wire, Stranded Wire

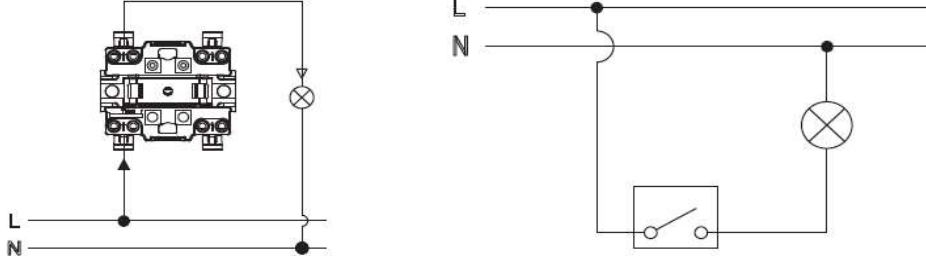
IP Degree:

IP54

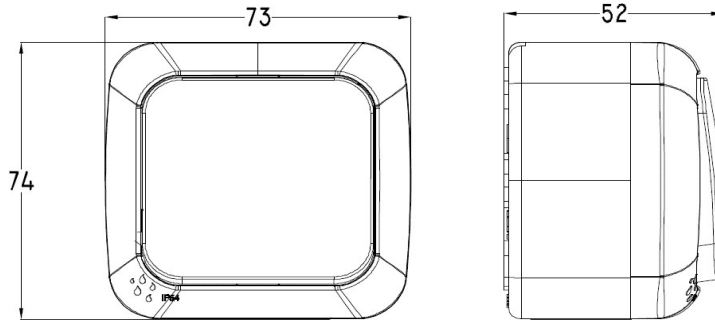


Screwless
Terminal

Wiring Diagram:



Dimensions:



Panasonic Electric Works Turkey Elektrik.San. ve Tic. A.Ş.

Abdurrahmangazi Mah. Ebubekir Cad. No: 44 Sancaktepe / İstanbul Tel: 0216 564 55 55 Fax: 0216 564 55 44

ewtr.panasonic.com