

## PRODUCT DATASHEET

**V:KO**  
by **Panasonic**

<b>Product Name :</b>	10 dB Satellite Socket with F Connector, Transitive
<b>Product Code :</b>	90440097
<b>Product Series :</b>	Linnera/Rollina
<b>Technical Specifications:</b>	
<b>Material :</b>	ABS (Acrylonitrile Butadine-Styrene)
<b>Certificates :</b>	CE, WEEE
<b>Colour Options :</b>	White, Beige

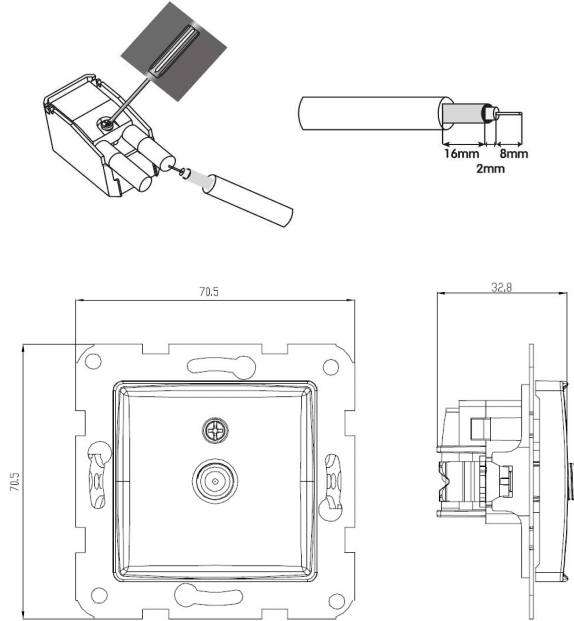


### Product Details :

- Suitable for central antenna and CATTV.
- Not affected by the parasite signals coming from the air for shielding feature.
- Ease of assembly thanks to the rear cover with hinge feature.
- Can be used in TV Socket 5-2400 MHz band.
- RG 6 U6 type wire connection is recommended for the image quality.

	Sat						
f/MHz	5-860-950	1000	1200	1600	2000	2250	2400
Subscriber Loss (dB)	≤11.5	≤12.0	≤12.5	≤14	≤14	≤14	≤14.5
Transient Loss (dB)	≤2,5	≤2,5	≤3	≤3,8	≤4,5	≤5,0	≤5,5

### Dimensions:



Panasonic Electric Works Elektrik.San. ve Tic. A.Ş.  
Abdurrahmangazi Mah. Ebubekir Cad. No: 44 Sancaktepe / İstanbul Tel: 0216 564 55 55 Fax: 0216 564 55 44  
ewtr.panasonic.com