
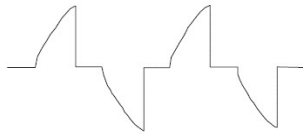
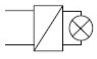


## PRODUCT DATASHEET



<b>Product Name :</b>	Rotative RC 400W Dimmer Mechanism+Button
<b>Product Code :</b>	90440092
<b>Product Series :</b>	Linnera/Rollina
<b>Technical Specifications:</b>	
<b>Operating Voltage :</b>	230V ~, 50Hz
<b>Maximum Output Power:</b>	400 W (R Type Load), 400 VA (C Type Load)
<b>Minimum Output Power:</b>	40 W (R Type Load), 40 VA (C Type Load)
<b>Certifications:</b>	PDG, WEEE
<b>Colour Options :</b>	White, Beige
<b>Material :</b>	ABS (Acrylonitrile Butadine-Styrene)

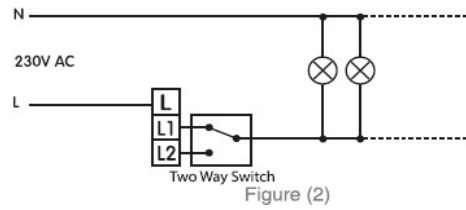
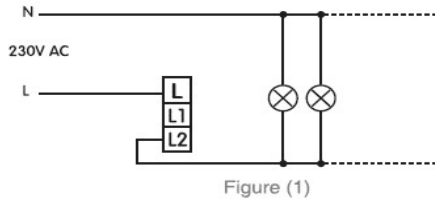


Load Type	Compatible Loads	Dim
<b>R Type Load</b>		<b>Trailing Edge</b>
	Incandescent lamps / 230V lamps	
<b>C Type Load</b>		
	Halogen lamps with electronic transformers / halogen lamps with low voltage	

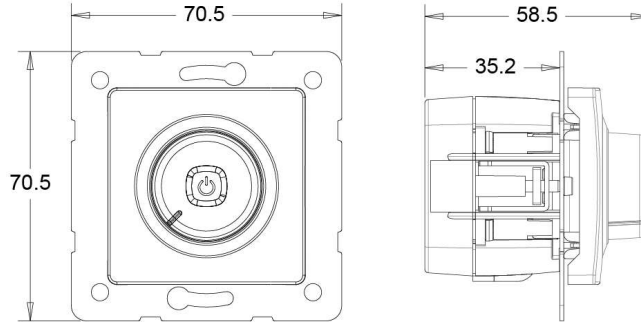
### Wiring Diagram:

Connection in Figure 1 is for normal switch use.

Connection in Figure 2 is for two-way switch use.



### Dimensions:



Panasonic Electric Works Elektrik.San. ve Tic. A.Ş.  
Abdurrahmangazi Mah. Ebubekir Cad. No: 44 Sancaktepe / Istanbul Tel: 0216 564 55 55 Fax: 0216 564 55 44  
ewtr.panasonic.com