

PRODUCT DATASHEET

V:KO
by **Panasonic**

Product Name : Two Gang One Way Push Button Mechanism+Button

Product Code : 90440083

Product Series : Linnera/Rollina

Technical Specifications:

Rated Current : 10AX, 250V~

Colour Options : White, Beige

Material of Button: ABS (Acrylonitrile Butadine-Styrene)

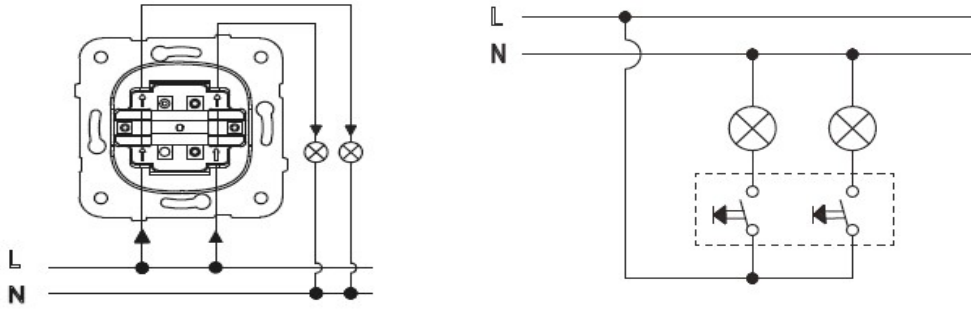
Cable Standard:

Cable Diameter : 1mm²-2,5mm²

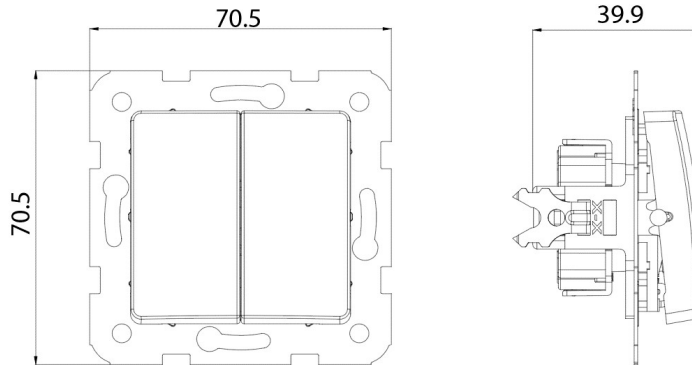
Applicable Cable: Solid Wire, Stranded Wire



Wiring and Circuit Diagram:



Dimensions:



Panasonic Electric Works Elektrik.San. ve Tic. A.Ş.

Abdurrahmangazi Mah. Ebubekir Cad. No: 44 Sancaktepe / İstanbul Tel: 0216 564 55 55 Fax: 0216 564 55 44
ewtr.panasonic.com