

PRODUCT DATASHEET

V:KO
by **Panasonic**

Product Name : 2P+E (French Type) UPS Socket with Lid Mechanism+Cover

Product Code : 90440070

Product Series : Linnera/Rollina

Technical Specifications:

Rated Current : 16AX, 250V~

Terminal Type : Screw Terminal

Material : ABS (Acrylonitrile Butadine-Styrene)

Certificates : CE, PGD, WEEE, VDE, TSE, EAC

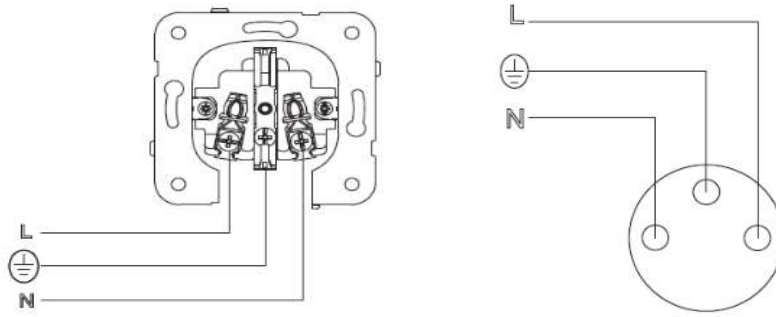
Cable Standard:

Cable Diameter : 1mm²-2,5mm²

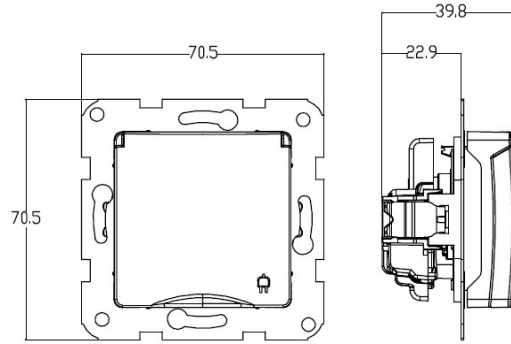
Applicable Cable: Solid Wire, Stranded Wire



Wiring Diagram:



Dimensions:



Panasonic Electric Works Elektrik.San. ve Tic. A.Ş.

Abdurrahmangazi Mah. Ebubekir Cad. No: 44 Sancaktepe / İstanbul Tel: 0216 564 55 55 Fax: 0216 564 55 44

ewtr.panasonic.com