

PRODUCT DATASHEET

V:KO
by **Panasonic**

Product Name :	<i>12dB Trough-Pass TV Socket</i>
Product Code :	<i>90440060</i>
Product Series :	Linnera/Rollina
Technical Specifications:	
Material :	ABS (Acrylonitrile Butadine-Styrene)
Colour Options :	White, Beige
Certificates :	CE, WEEE

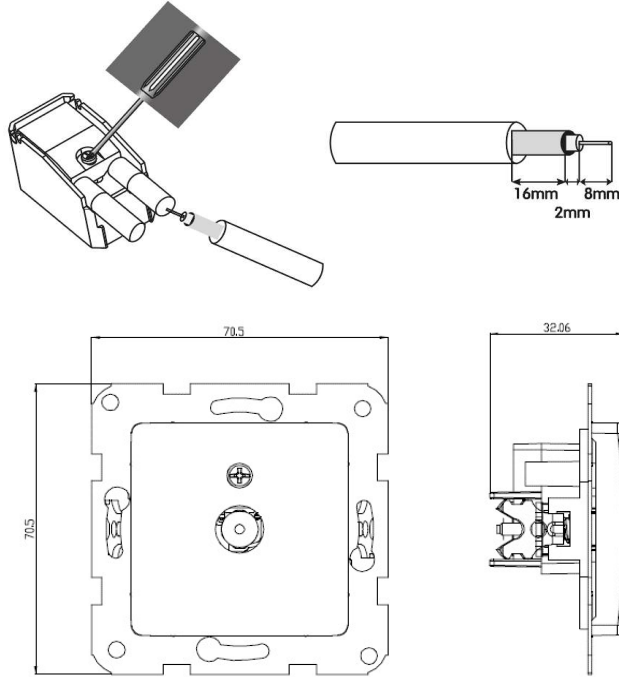


Product Details :

- Suitable for central antenna and CATTV.
- Not affected by the parasite signals coming from the air for shielding feature.
- Ease of assembly thanks to the rear cover with hinge feature.
- Can be used in TV Socket 5-1000 MHz band.
- RG 6 U6 type wire connection is recommended for the image quality.

Max dB Losses	F/MHz	5-47	47-470	470-862	862-1000
Line Losses	Losses	$\leq 3,5$ dB			
	8				
	12				
Subscriber Losses	Terminated	$\leq 3,5$ dB			
	Losses				
	8				
	12	12	12	14	

Wiring Diagram and Dimensions:



Panasonic Electric Works Elektrik.San. ve Tic. A.Ş.
Abdurrahmangazi Mah. Ebubekir Cad. No: 44 Sancaktepe / İstanbul Tel: 0216 564 55 55 Fax: 0216 564 55 44
ewtr.panasonic.com