

## PRODUCT DATA SHEET

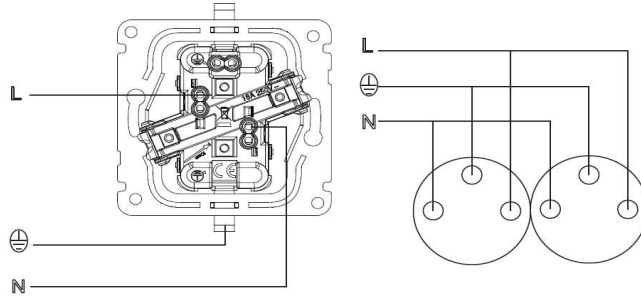
**V:KO**  
by **Panasonic**

<b>Product Name :</b>	Double Socket 2P+E with Mechanism+Cover
<b>Product Code :</b>	90440056
<b>Product Series :</b>	Linnera/Rollina
<b>Technical Specifications :</b>	
<i>Rated Current :</i>	16A, 250V~
<i>Terminal Type :</i>	Screw Terminal
<b>Materials :</b>	PC-ABS
<b>Colour Options :</b>	White, Beige
<b>Certifications :</b>	TSE, VDE, EAC, CE, WEEE
<b>Cable Standard:</b>	
<i>Cable Diameter:</i>	1,5mm <sup>2</sup> -2,5mm <sup>2</sup>
<i>Cable Type:</i>	Rigid Solid, Rigid Stranded
<b>IP Degree:</b>	IP20

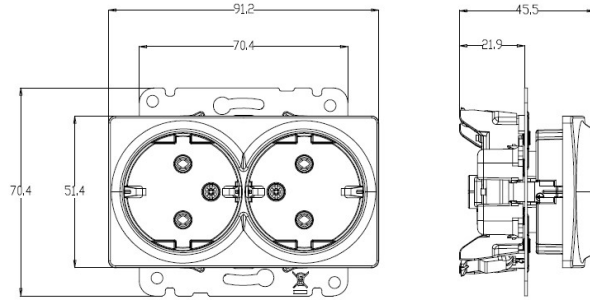


Screw  
Terminal

### Wiring and Circuit Diagram:



### Dimension:



Panasonic Electric Works Elektrik.San. ve Tic. A.Ş.  
Abdurrahmangazi Mah. Ebubekir Cad. No: 44 Sancaktepe / İstanbul Tel: 0216 564 55 55 Fax: 0216 564 55 44  
ewtr.panasonic.com