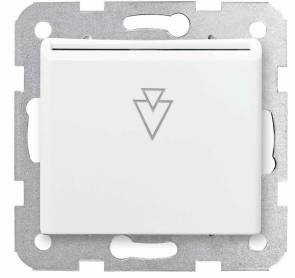


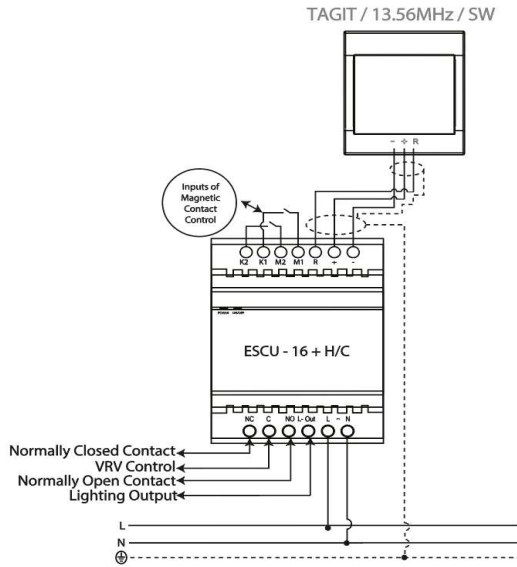
PRODUCT DATASHEET



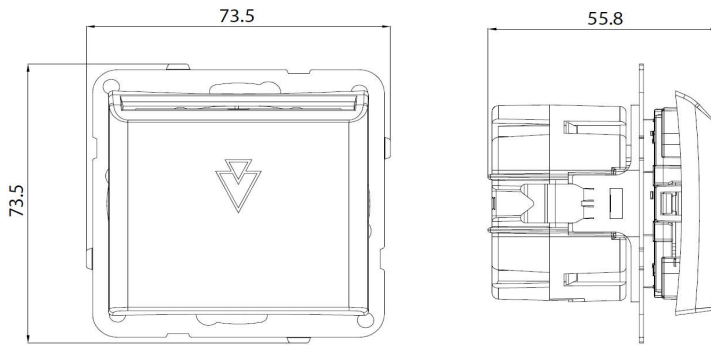
Product Name :	13,56 MHz Multi Card Energy Saver
Product Code :	90440051-90440151
Product Series :	Linnera/Rollina
Technical Specifications:	
Operating Voltage	230 V AC
Operating Temperature	0...45 °C
Connection Wire	Minimum 0.50 mm ² diameter
Types of Card Reader	All Cards
Material :	ABS (Acrylonitrile Butadine-Styrene)
Colour Options :	White, Beige
Certificates :	CE, PGD, WEEE



Wiring Diagram:



Dimensions:



Panasonic Electric Works Elektrik.San. ve Tic. A.Ş.
 Abdurrahmangazi Mah. Ebubekir Cad. No: 44 Sancaktepe / İstanbul Tel: 0216 564 55 55 Fax: 0216 564 55 44
 ewtr.panasonic.com