
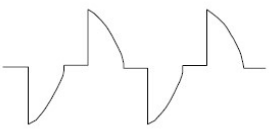



PRODUCT DATASHEET



Product Name :	White RL 20-500W Pro Dimmer Mechanism+Button
Product Code :	90440040
Product Series :	Linnera/Rollina
Technical Specifications:	
Operating Voltage :	230V ~, 50Hz
Maximum Output Power:	500 W (R Type Load), 500 VA (L Type Load)
Minimum Output Power:	20 W (R Type Load), 20 VA (L Type Load)
Certifications:	CE, PGD, WEEE, VDE, EAC
Material :	ABS (Acrylonitrile Butadine-Styrene)

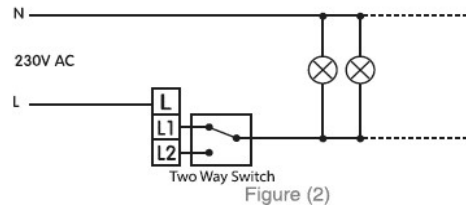
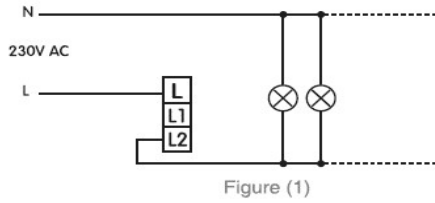


Load Type	Compatible Loads	Dim
R Type Load		Trailing Edge
	Incandescent and Halogen Lamps 230V	
L Type Load		
	Halogen Lamps with Mechanical Transformer / Halogen Lamps with Low Voltage	

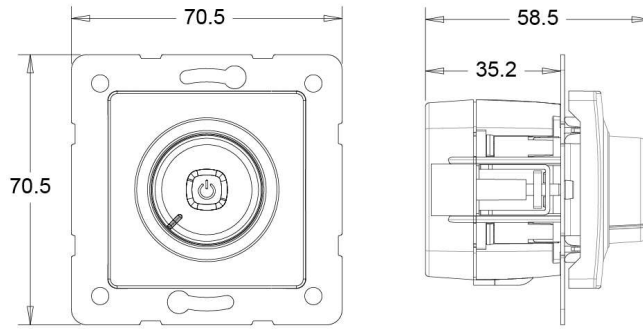
Wiring Diagram:

Connection in Figure 1 is for normal switch use.

Connection in Figure 2 is for two-way switch use.



Dimensions:



p

Panasonic Electric Works Elektrik.San. ve Tic. A.Ş.
 Abdurrahmangazi Mah. Ebubekir Cad. No: 44 Sancaktepe / İstanbul Tel: 0216 564 55 55 Fax: 0216 564 55 44
 ewtr.panasonic.com