

## PRODUCT DATASHEET

**V:KO**  
by **Panasonic**

**Product Name :** Two Pole Switch

**Product Code :** 90440039

**Product Series :** Linnera/Rollina

**Technical Specifications:**

*Rated Current :* 16AX, 250V~

*Terminal Type :* Screw Terminal

**Material :** ABS (Acrylonitrile Butadine-Styrene)

**Certificates :** CE, PGD, WEEE, VDE, TSE, EAC

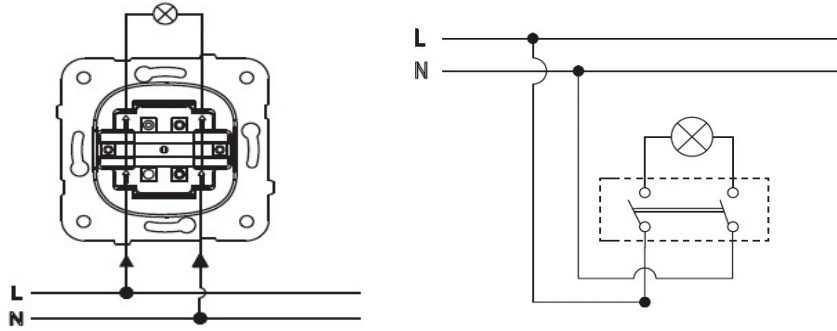
**Cable Standard:**

*Cable Diameter :* 1mm<sup>2</sup>-2,5mm<sup>2</sup>

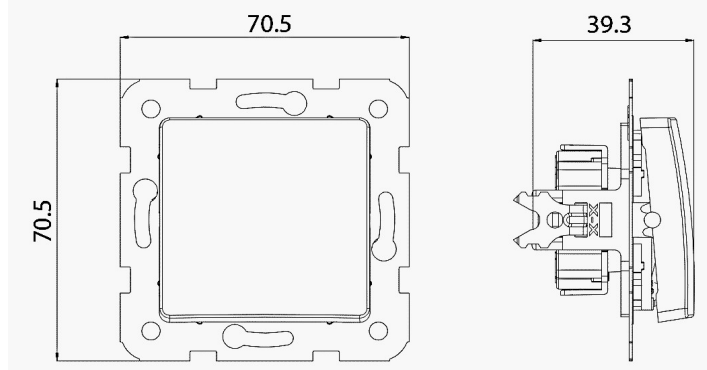
*Applicable Cable:* Solid Wire, Stranded Wire



**Wiring Diagram:**



**Dimensions:**



Panasonic Electric Works Elektrik.San. ve Tic. A.Ş.

Abdurrahmangazi Mah. Ebubekir Cad. No: 44 Sancaktepe / İstanbul Tel: 0216 564 55 55 Fax: 0216 564 55 44

ewtr.panasonic.com