

PRODUCT DATASHEET



Product Name : White Single Data RJ45 CAT5

Product Code : 90440032

Product Series : Linnera / Rollina

Technical Specifications:

Material : ABS (Acrylonitrile Butadine-Styrene)

Certificates : CE, WEEE



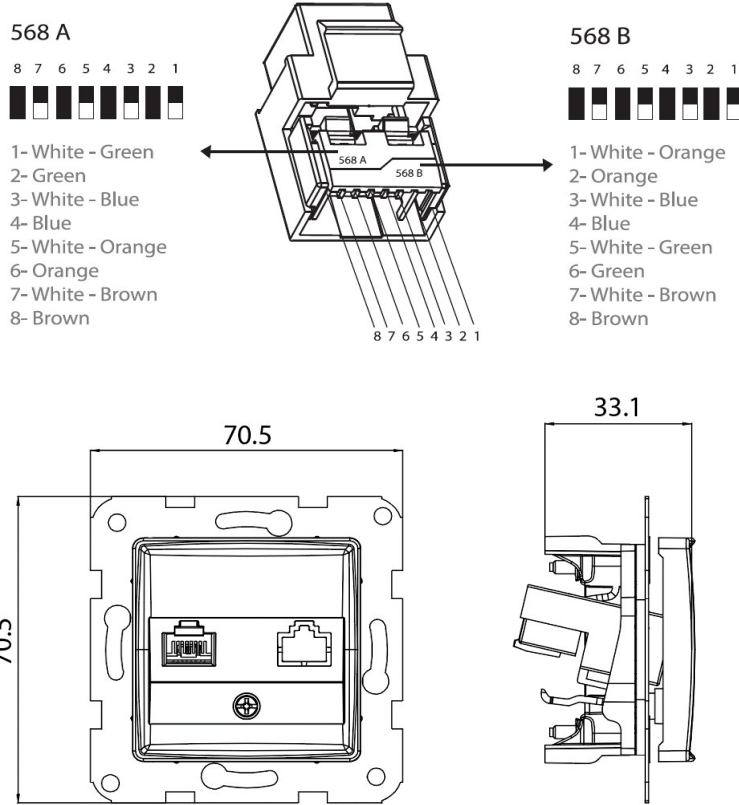
Product Details :

CAT5E data socket is suitable for 100 MHz data transmission.

CAT5E complies EIA/TIA standards and 568A-568B supports EIA/TIA.

Diameter of conductor to be used in numeris socket is between the range of 0.40 mm - 0.64 mm.

Wiring and Dimensions:



Panasonic Electric Works Turkey Elektrik.San. ve Tic. A.Ş.

Abdurrahmangazi Mah. Ebubekir Cad. No: 44 Sancaktepe / İstanbul Tel: 0216 564 55 55 Fax: 0216 564 55 44

ewtr.panasonic.com