

PRODUCT DATASHEET

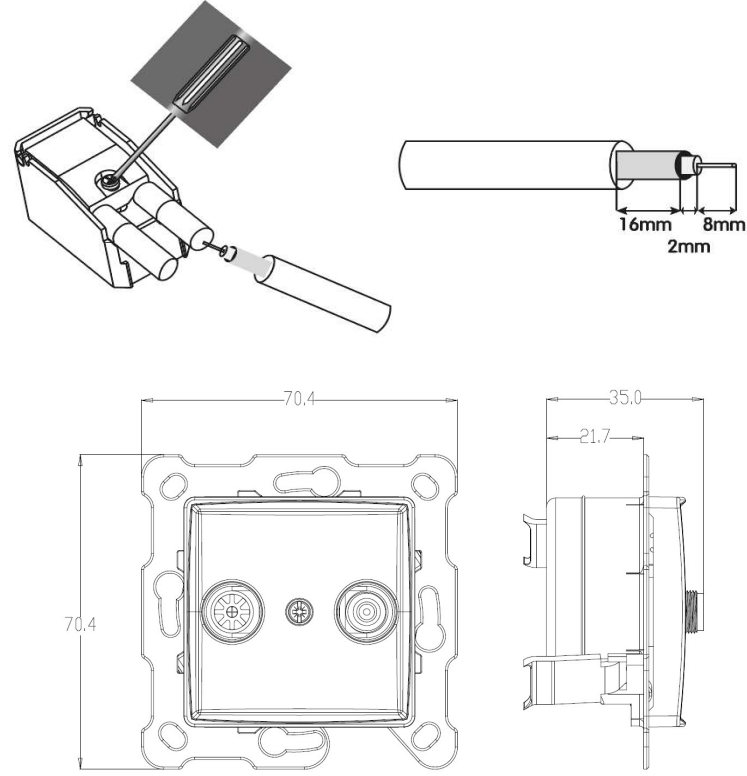


Product Name :	TV-Radio Socket Through-Pass 12dB
Product Code :	90440024
Product Series :	Linnera/Rollina
Technical Specifications:	
Material of Cover :	ABS (Acrylonitrile Butadine-Styrene)
Certificates :	CE, WEEE
Colour :	White, Beige



- Product Details :**
- Suitable for central antenna and CATTV.
 - Not affected by the parasite signals coming from the air for shielding feature.
 - Ease of assembly thanks to the rear cover with hinge feature.
 - Can be used in TV Socket 5-1000 MHz, SAT socket 5-1000 MHz band.
 - RG 6 U6 type wire connection is recommended for the image quality.
- | | | MHz /Subscriber Loss (dB) | | | | |
|------|--------------|---------------------------|------|------|------|------|
| | | RK | FM | VHF | UHF | |
| TV-R | Through-Pass | FS 12D | 5 | 87.5 | 118 | 470 |
| | | | 68 | 108 | 470 | 862 |
| | | | 11.0 | 12.0 | 11.0 | 11.0 |

Wiring Diagram and Dimensions:



Panasonic Electric Works Elektrik.San. ve Tic. A.Ş.
 Abdurrahmangazi Mah. Ebubekir Cad. No: 44 Sancaktepe / İstanbul Tel: 0216 564 55 55 Fax: 0216 564 55 44
 ewtr.panasonic.com