

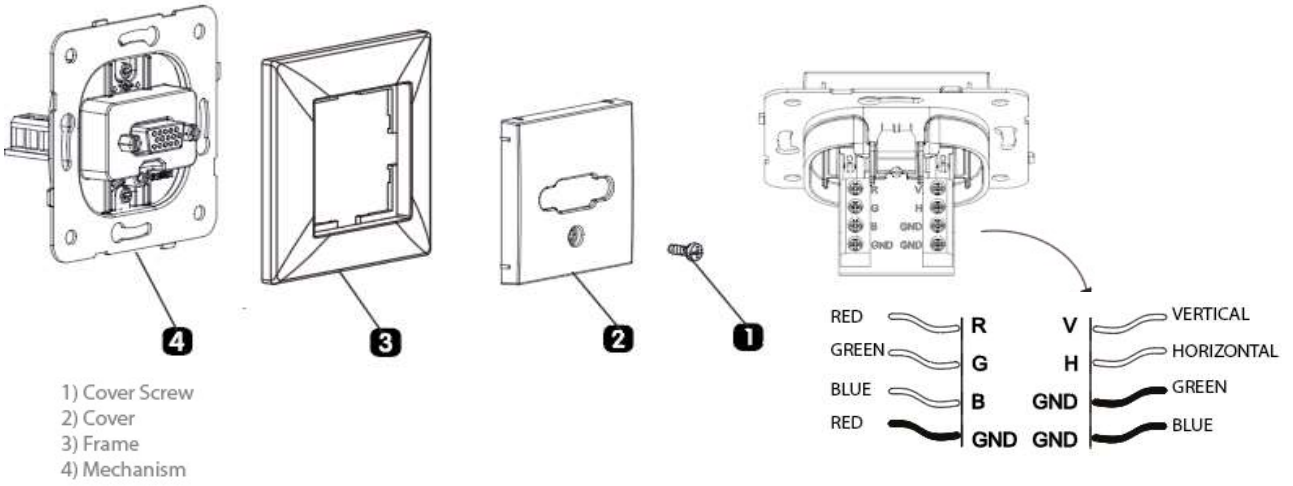
PRODUCT DATASHEET



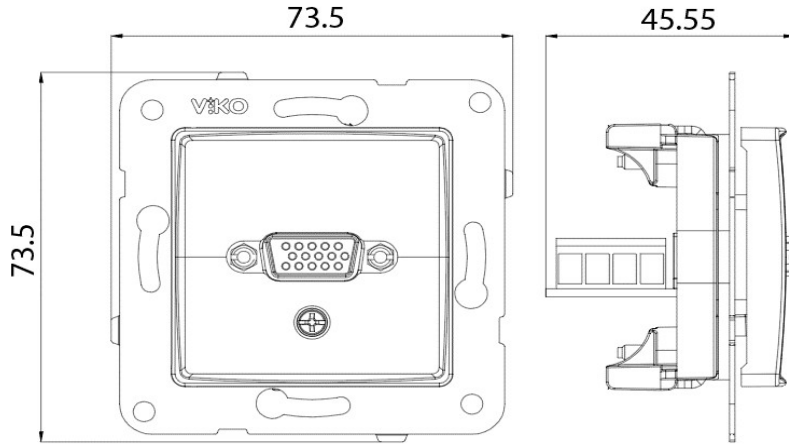
Product Name :	VGA Connector with PCB
Product Code :	90440023
Product Series :	Linnera / Rollina
Material :	ABS (Acrylonitrile Butadine-Styrene)
Colour Options :	White, Beige
Certificates :	CE, WEEE



Technical Information and Wiring Diagram:



Dimensions:



Panasonic Electric Works Turkey Elektrik.San. ve Tic. A.Ş.
Abdurrahmangazi Mah. Ebubekir Cad. No: 44 Sancaktepe / Istanbul Tel: 0216 564 55 55 Fax: 0216 564 55 44
ewtr.panasonic.com