

PRODUCT DATASHEET

V:KO
by **Panasonic**

Product Name :	TV-Radio Socket Through-Pass 7dB
Product Code :	90440022
Product Series :	Linnera/Rollina
Technical Specifications:	
Material of Cover :	ABS (Acrylonitrile Butadine-Styrene)
Certificates :	CE, WEEE
Colour :	White, Beige

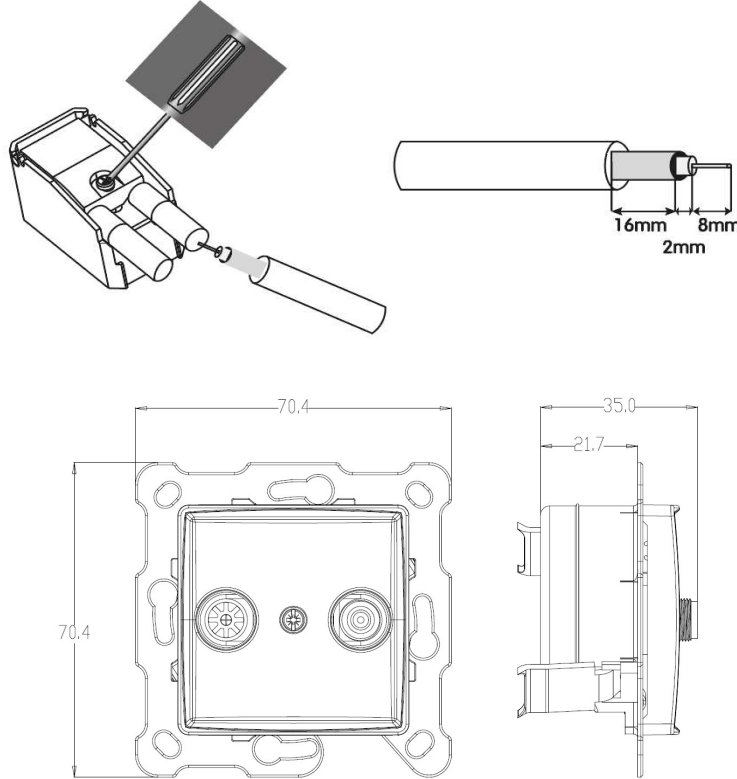


Product Details :

- Suitable for central antenna and CATTV.
- Not affected by the parasite signals coming from the air for shielding feature.
- Ease of assembly thanks to the rear cover with hinge feature.
- Can be used in TV Socket 5-1000 MHz, SAT socket 5-1000 MHz band.
- RG 6 U6 type wire connection is recommended for the image quality.

			MHz /Subscriber Loss (dB)			
	RK		FM	VHF	UHF	
TV-R	5	Through-Pass	87.5	118	470	
	68		108	470	862	
	8.0	FS 7D	9	8.0	8.0	

Wiring Diagram and Dimensions:



Panasonic Electric Works Elektrik.San. ve Tic. A.Ş.
Abdurrahmangazi Mah. Ebubekir Cad. No: 44 Sancaktepe / İstanbul Tel: 0216 564 55 55 Fax: 0216 564 55 44
ewtr.panasonic.com