

## PRODUCT DATA SHEET

**V:KO**  
by **Panasonic**

**Product Name :** White Push Button with Key Symbol Mech.+Button

**Product Code :** 90440005

**Technical Specifications :**

*Rated Current :* 10AX, 250V~

*Terminal Type :* Screw Connection

**Materials :** ABS

**Certifications :** CE, EAC, VDE, WEEE

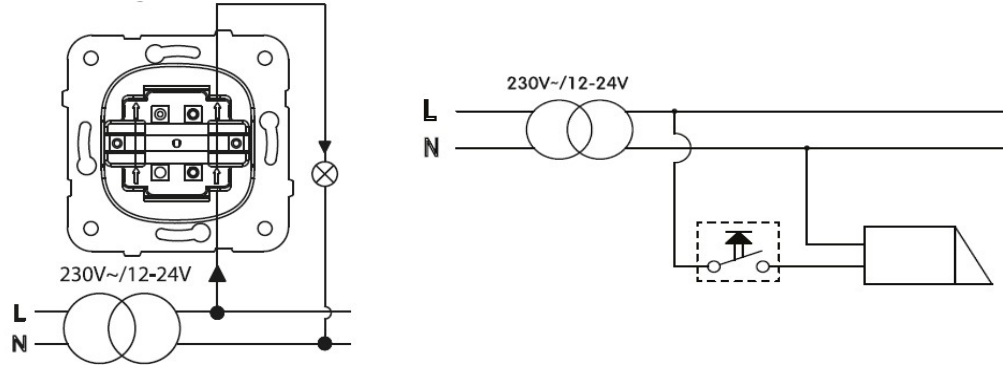
**Cable Standard:**

*Cable Diameter :* 1mm<sup>2</sup>-2,5mm<sup>2</sup>

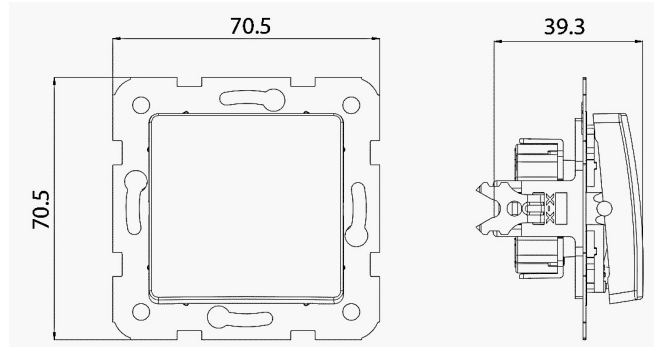
*Applicable Cable:* Solid Wire, Stranded Wire



**Wiring and Circuit Diagram :**



**Dimensions :**



Panasonic Electric Works Elektrik.San. ve Tic. A.Ş.

Abdurrahmangazi Mah. Ebubekir Cad. No: 44 Sancaktepe / İstanbul Tel: 0216 564 55 55 Fax: 0216 564 55 44  
ewtr.panasonic.com