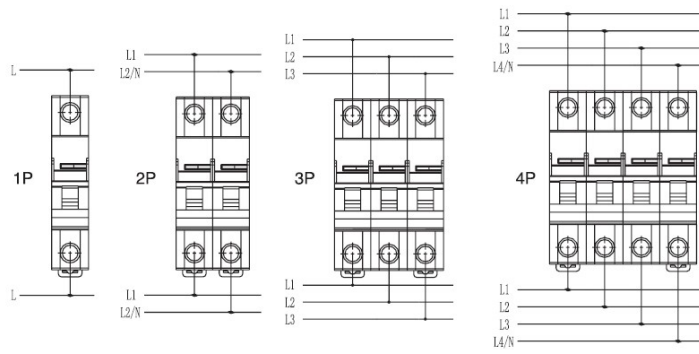


**PRODUCT DATASHEET**

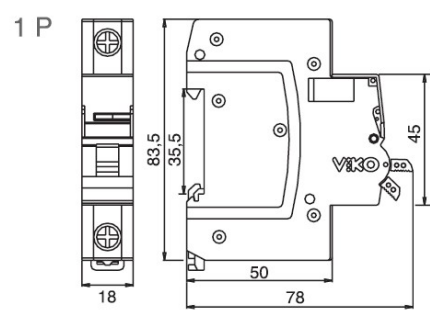


<b>Product Name :</b>	<i>Miniature Circuit Breaker</i>
<b>Product Codes :</b>	<i>6VTB-1B06, 6VTB-1B10, 6VTB-1B16, 6VTB-1B20, 6VTB-1B25, 6VTB-1B32, 6VTB-1B40, 6VTB-1B50, 6VTB-1B63, 6VTB-1C06, 6VTB-1C10, 6VTB-1C100, 6VTB-1C125, 6VTB-1C16, 6VTB-1C20, 6VTB-1C25, 6VTB-1C32, 6VTB-1C40, 6VTB-1C50, 6VTB-1C63, 6VTB-1C80, 6VTB-2C06, 6VTB-2C10, 6VTB-2C100, 6VTB-2C125, 6VTB-2C16, 6VTB-2C20, 6VTB-2C25, 6VTB-2C32, 6VTB-2C40, 6VTB-2C50, 6VTB-2C63, 6VTB-2C80, 6VTB-3C06, 6VTB-3C10, 6VTB-3C100, 6VTB-3C125, 6VTB-3C16, 6VTB-3C20, 6VTB-3C25, 6VTB-3C32, 6VTB-3C40, 6VTB-3C50, 6VTB-3C63, 6VTB-3C80, 6VTB-4C06, 6VTB-4C10, 6VTB-4C100, 6VTB-4C125, 6VTB-4C16, 6VTB-4C20, 6VTB-4C25, 6VTB-4C32, 6VTB-4C40, 6VTB-4C50, 6VTB-4C63, 6VTB-4C80,</i>
<b>Technical Specifications:</b>	
<b>Number of Pole</b>	<i>1P, 2P, 3P, 4P</i>
<b>Triggering Characteristic</b>	<i>B-C</i>
<b>Crosssectional area of Connection</b>	<i>For 1A-63A 13 mm<sup>2</sup> For 80-125A 15 mm<sup>2</sup></i>
<b>Rated Frequency</b>	<i>50/60 Hz</i>
<b>Breaking Capacity</b>	<i>6kA-230/400V AC</i>
<b>Insulation Voltage Ui</b>	<i>500V</i>
<b>Electrical Life</b>	<i>4000 on-off</i>
<b>Mechanic Life</b>	<i>For 1A-100A 10.000 on-off For 125A 15 8.000 on-off</i>
<b>Protection Class</b>	<i>IP20</i>
<b>Standard and Quality Certificates</b>	<i>TS EN 60898-1, CE, Ukr, TSE WEEE</i>

**Connection Diagrams**



**Dimensions**



Panasonic Electric Works Elektrik.San. ve Tic. A.Ş.  
 Abdurrahmangazi Mah. Ebubekir Cad. No: 44 Sancaktepe / İstanbul Tel: 0216 564 55 55 Fax: 0216 564 55 44  
 ewtr.panasonic.com