

WRKT63215NC
WRKT63225NC
WRKT63335NC
WRKT63245NC
WRKT63445NC
WRKT64215NC
WRKT64225NC
WRKT64335NC
WRKT64245NC
WRKT64445NC



WRKT63215NC
WRKT63225NC
WRKT63335NC
WRKT63245NC
WRKT63445NC
WRKT64215NC
WRKT64225NC
WRKT64335NC
WRKT64245NC
WRKT64445NC

KNX MODULAR PUSH BUTTON MULTI COLOR 1 GANG 2M
KNX MODULAR PUSH BUTTON MULTI COLOR 2 GANG 2M
KNX MODULAR PUSH BUTTON MULTI COLOR 3 GANG 3M
KNX MODULAR PUSH BUTTON MULTI COLOR 4 GANG 2M
KNX MODULAR PUSH BUTTON MULTI COLOR 4 GANG 4M
KNX MODULAR PUSH BUTTON MULTI COLOR+TEMP 1 GANG 2M
KNX MODULAR PUSH BUTTON MULTI COLOR+TEMP 2 GANG 2M
KNX MODULAR PUSH BUTTON MULTI COLOR+TEMP 3 GANG 3M
KNX MODULAR PUSH BUTTON MULTI COLOR+TEMP 4 GANG 2M
KNX MODULAR PUSH BUTTON MULTI COLOR+TEMP 4 GANG 4M



Installation should only be carried out by a technical personnel having certificate of competency

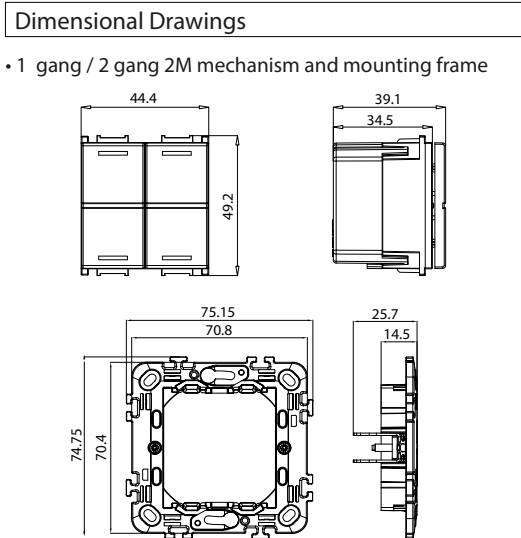
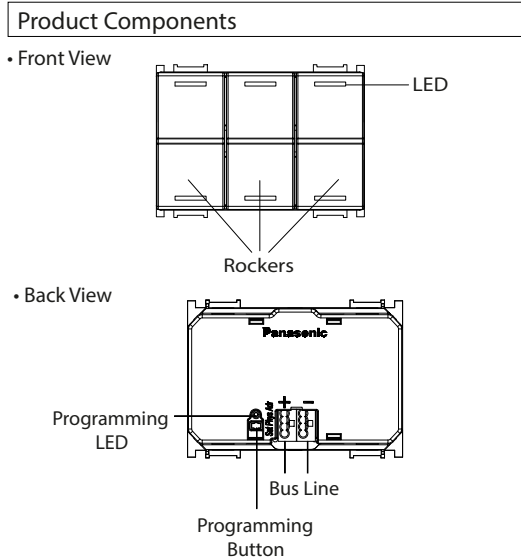
Panasonic Electric Works Elektrik San.ve Tic. A.Ş.
Abdurrahmangazi Mah. Ebubekir Cad. No: 44
34887 Sancaktepe / İstanbul / Turkey
T: 0(216) 564 55 55 F: 0(216) 564 55 44

HOTLINE
444 8456

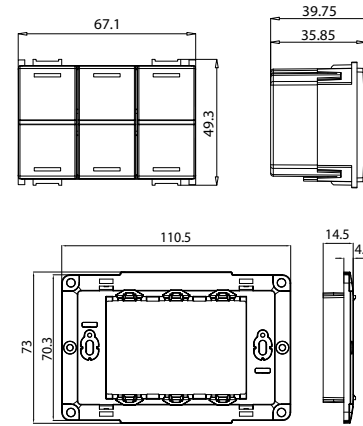
ewtr.panasonic.com
info@tr.panasonic.com

611073-KNX-EN

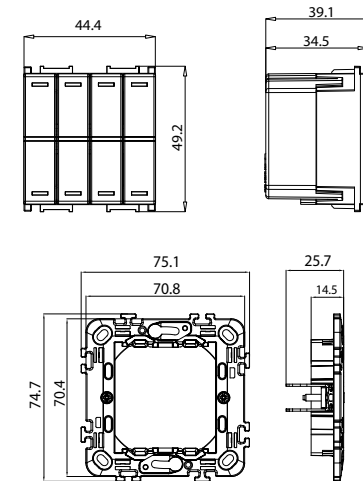
Technical Data	
Programming Mode	S Mode
Power supply	21 to 32 V DC via KNX Bus
Current draw from bus voltage	Max 10 mA
Bus connection	Bus terminal
Type of protection	IP 20 to EN 60529
Degree of pollution	2 to IEC 60664-1
Protection class	Class III to IEC 61140
Overvoltage class	Class III to IEC 60664-1
Temperature Range	Operation -5 °C... + 45°C Storage -10 °C... + 55°C Transport -25 °C... + 70°C
Relative humidity	0% to 100%
Relative humidity measurements (for models with sensors)	0 °C... + 45°C
Cable Type	Twisted Pair



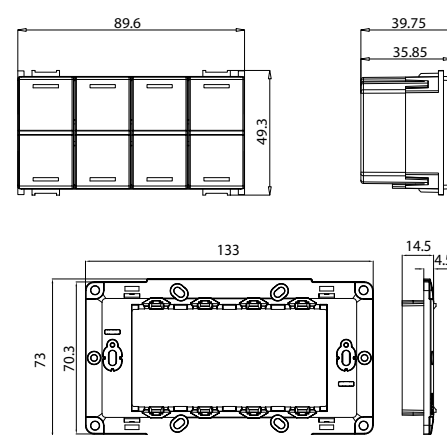
• 3 gang 3M mechanism and mounting frame



• 4 gang 2M mechanism and mounting frame



• 4 gang 4M mechanism and mounting frame



WARNING

- Ensure that the power is cut off before the assembly of the products.
- Connection and assembly of the electrical devices should be carried out only by the technical personnel having certificate of competency.
- No responsibility is assumed for the entire of the malfunction, accident and loss arising from the assembly or interference of the persons not having the competency certificate.
- Use dry or slightly damp cloth to clean the buttons, cover and frame of the product. Never use alcohol, cologne, detergent or other similar chemicals for cleaning. Do not perform wet cleaning do not contact the product with water when the product is energized.
- In case the surface to which the product is connected is dyed, store the product by removing its cover and the frames.
- Keep the product away from the damp or wet environment during the transportation and shipping.
- It is intended for indoor use only.

Service and Guarantee

- Warranty period starts as of the delivery date of the product and it is 2 years.
- Warranty covers the malfunctions likely to occur due to the manufacturing defects of the product and within the warranty period.
- The product including all of its parts is under warranty as a whole. If the product turns out to be defective, the consumer can use one of the following rights stipulated in Article 11 of Consumer Protection Law no. 6502;
 - a- Withdrawal from the contract
 - b- Demanding discount from sales fee
 - c- Demanding free repair,
 - d- Demanding the replacement of the sold one with a fungible one free from defects.
- In case the consumer chooses the right of free repair among those rights; the dealer is obliged to repair the product or have the product repaired without claiming any fee under the name of replaced part fee, labor cost or for any other reasons. The consumer can also use the right of free repair against the manufacturer or exporter. The dealer, manufacturer and exporter are jointly and severally liable for the usage of this right by the consumer.
- In case the consumer uses the right of free repair and if the product fails within the warranty period again and
 - the maximum period required for the repair is exceeded and
 - Authorized service station, dealer, manufacturer or exporter state that it's not possible to repair the product in a report, the consumer can demand the return of the product fee, fee discount at the ratio of the defect or the replacement with the one free of defects, if possible, from the dealer. The dealer can not reject the demand of the consumer. In case this demand is not met, the dealer, manufacturer and exporter shall jointly and severally be held responsible.
- The repair period of the product can not exceed 20 business days. This period starts on the notification of the failure on the product to the authorized service station or the dealer within the warranty period and from the date of delivery of the product to the authorized service station out of warranty period. In case of not eliminating the product malfunction within 10 business days, manufacturer or importer is obliged to dedicate another product with similar characteristics to the use of the consumer until the completion of the product repair. In case the product fails within the warranty period, elapsed time is added to the warranty period.
- Usage of the product contrary to the rules stipulated in user's manual, operating out of determined voltage, current and environmental conditions, damage on the cable connection due to the user's fault and failure of the product due to the facts arising from the fire, flood, earthquake, lightning and similar disasters are not under warranty.
- The consumer can apply to the arbitration committee for consumers or the consumer court where the consumer operations are made or in the residential area for the disputes to be occurred regarding the usage of the rights arising from the warranty.
- In case the dealer doesn't provide this certificate of warranty, the consumer can apply to the General Directorate of Consumer Protection and Market Surveillance of Ministry of Customs and Trade*.

Functional Specifications

1 gang MD, 2 gang MD, 3 gang MD and 4 gang MD are KNX switches with up to 4 rockers and 2 multi-color LED per rocker. They can be used to send commands to KNX system for controlling actuators, to dim or switch lights ON / OFF, to move blinds up-down or to save/recall light scenes. The following functions can be configured:
Switching control
Dimming control
Blinds control
Scene control
Value dimming control
Value transmitter control
Single button operations
Each LEDs can be controlled via an KNX object, display the actual status or remain permanently on or off. The telegram type (switching, priority, value, temperature, value etc.) can be configurable individually. WRKT64215NC, WRKT64225NC, WRKT64335NC, WRKT64245NC and WRKT64445NC models includes temperature and humidity sensors on board. Sensor information can be transmitted to KNX line.

Assembly

- Connect the cables as shown in the connection diagram.
- Place the mounting frame (1) in the mounting box and fasten the screws of the claws with an appropriate screwdriver.
- Place the module (2) to the mounting frame (1) with help of clips.
- Put the frame (3) to the mounting frame (1).
- Place the button (4) to the frame (3).

