

KNX IP ROUTER TP

WRKT23315NC

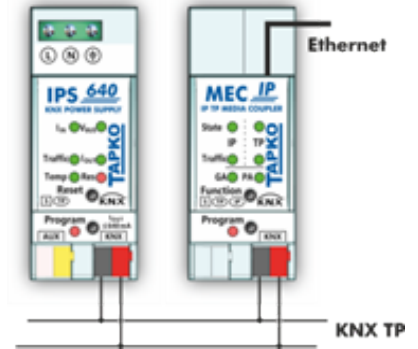


2. Bus state KNX TP (Subline)  
green: Subline OK
3. Telegram traffic IP (Main line)  
green (blinking): Telegram traffic extent  
red (blinking): Transmission error
4. Telegram traffic KNX TP (Subline)  
green (blinking): Telegram traffic extent  
red (blinking): Transmission error
5. Group Address routing  
green: Filter active  
orange: Route all  
red: Block all  
<off>: Main line / subline different
6. Physical Address routing  
green: Filter active  
orange: Route all  
red: Block all  
<off>: Main line / subline different
7. Programming LED  
red: Programming Mode active  
red (blinking): No IP connection

- For mounting use an appropriate equipment according to IEC60715
- Installation on a 35 mm DIN rail (TH35)
- Connect the KNX bus line as for common KNX bus connections with a KNX bus cable, to be stripped and plugged into a KNX TP connector
- Do not damage electrical insulations during connecting
- Installation only in dry locations
- Accessibility of the device for operation and visual inspection must be provided
- For changing the configuration use the ETS
- ⚠ Installation should only be carried out by a technical personnel having certificate of competency.

### Installation and Maintenance

- The housing must not be opened
- Protect the device from moisture, dirt and damage
- The device needs no maintenance
- If necessary, the device can be cleaned with a dry cloth
- In the case of damage (at storage, transport) no repairs may be carried out by unauthorized personnel
- Configuration details and ETS database:



Panasonic Electric Works Elektrik San.ve Tic. A.Ş.  
Abdurrahmangazi Mah. Ebubekir Cad. No: 44  
34887 Sancaktepe / İstanbul / Turkey  
T: 0(216) 564 55 55 F: 0(216) 564 55 44

HOTLINE  
**444 8456**

ewtr.panasonic.com  
info@tr.panasonic.com

611062-KNX-EN

### Product Description

The MECip media coupler connects both media KNX IP and KNX TP. Used as KNX IP Router, it couples the KNX IP/Ethernet media to the TP bus system. KNXnet/IP routing and tunnelling are supported.

MECip is able to filter the traffic according to the installation place in the bus system hierarchy and according to the built-in filter tables for group oriented communication. Configuring from the subline can be blocked. For KNX devices, MECip provides commissioning, configuring, visualization, protocolling and diagnostic operation. Operational and filtering states, malfunction and faulty communication are indicated by LEDs. Filtering can be temporarily deactivated by a single button press (eases commissioning because of short-time access to other lines). Extended frames and long messages with up to 240 bytes APDU length are supported. As UPnP is available, MECip is shown as network device.

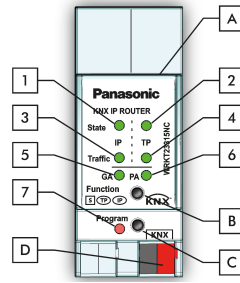
With a browser a comfortable front-end can be accessed to read out device settings, remotely activate functions (Progr. Mode, set tunneling) and watch a 30 min busload history diagram. Also, the integrated bootloader function enables remote firmware updates via IP/Ethernet.

MECip is a rail-mounted device for installation in distribution boards on 35 mm DIN rails. Supplied by the KNX bus line, the device does not require an additional power supply. KNX IP devices can be connected by a standard RJ45 connector directly, and also via Ethernet networks.

Requirements of Directives EMC, RoHS and LVD are met. Standards for residential, commercial, and industrial environments are fulfilled. The full text of the EU declaration of conformity is available at the following internet address:

### Connectors, Buttons and LEDs Description

- A. Ethernet connector
- B. Function button
- C. Programming button
- D. KNX TP connector
1. State IP (Main line)  
green: Main line OK  
orange: Manual Function active



### Technical Specifications

<b>Power input</b>	
Power supply	21...30 V DC SELV
Current consumption	< 20 mA
<b>Housing</b>	
Dimensions (HxWxD)	90 x 36 x 71 mm
Mounting (IEC60715)	35 mm top-hat rail (TH35)
Width in space units	2 modules at 18 mm
KNX bus connection	KNX connector (red/black)
IP connector	Ethernet (RJ45, female)
Weight	68 g
<b>Environmental conditions</b>	
Operating temperature	-5...45 °C
Storage temperature	-20...60 °C
Ambient humidity	5...93 % (non-condensing)
<b>Electrical safety</b>	
Pollution degree (IEC60664)	2
Protection type (IEC60529)	IP20
Protection class (IEC61140)	III
Overvoltage category (IEC60664)	II
Approbation (ISO/IEC14543-3)	KNX-certified
<b>CE Marking</b>	
EU Directives	LVD (2014/35/EU) EMC (2014/30/EU) RoHS (2011/65/EU)
Standards	EN50491-5-1/-2/-3 EN50581 EN60950-1 EN61000-6-2/-3 IEC60950-1

### Mounting, Commissioning and Safety Notes

- After connection to the KNX bus system, the device works with its default settings as intended
- Warning: Do not connect to 230 V. The device is supplied by the KNX bus and does not require any additional external power supply
- The device may only be installed and put into operation by a qualified electrician or authorized personnel
- For planning and construction of electric installations the appropriate specifications, guidelines and regulations in force of the respective country have to be complied

### WARNING

- Ensure that the power is cut off before the assembly of the products.
- Connection and assembly of the electrical devices should be carried out only by the technical personnel having certificate of competency.
- No responsibility is assumed for the entire of the malfunction, accident and loss arising from the assembly or interference of the persons not having the competency certificate.
- Use dry or slightly damp cloth to clean the buttons, cover and frame of the product. Never use alcohol, cologne, detergent or other similar chemicals for cleaning. Do not perform wet cleaning do not contact the product with water when the product is energized.
- In case the surface to which the product is connected is dyed, store the product by removing its cover and the frames.
- Keep the product away from the damp or wet environment during the transportation and shipping.
- It is intended for indoor use only.

### Service and Guarantee

- Warranty period starts as of the delivery date of the product and it is 2 years.
- Warranty covers the malfunctions likely to occur due to the manufacturing defects of the product and within the warranty period.
- The product including all of its parts is under warranty as a whole. If the product turns out to be defective, the consumer can use one of the following rights stipulated in Article 11 of Consumer Protection Law no. 6502;
  - a- Withdrawal from the contract
  - b- Demanding discount from sales fee
  - c- Demanding free repair,
  - d- Demanding the replacement of the sold one with a fungible one free from defects.
- In case the consumer chooses the right of free repair among those rights; the dealer is obliged to repair the product or have the product repaired without claiming any fee under the name of replaced part fee, labor cost or for any other reasons. The consumer can also use the right of free repair against the manufacturer or exporter. The dealer, manufacturer and exporter are jointly and severally liable for the usage of this right by the consumer.
- In case the consumer uses the right of free repair and if the product
  - fails within the warranty period again and
  - the maximum period required for the repair is exceeded and
- Authorized service station, dealer, manufacturer or exporter state that it's not possible to repair the product in a report, the consumer can demand the return of the product fee, fee discount at the ratio of the defect or the replacement with the one free of defects, if possible, from the dealer. The dealer can not reject the demand of the consumer. In case this demand is not met, the dealer, manufacturer and exporter shall jointly and severally be held responsible.
- The repair period of the product can not exceed 20 business days. This period starts on the notification of the failure on the product to the authorized service station or the dealer within the warranty period and from the date of delivery of the product to the authorized service station out of warranty period. In case of not eliminating the product malfunction within 10 business days, manufacturer or importer is obliged to dedicate another product with similar characteristics to the use of the consumer until the completion of the product repair. In case the product fails within the warranty period, elapsed time is added to the warranty period.
- Usage of the product contrary to the rules stipulated in user's manual, operating out of determined voltage, current and environmental conditions, damage on the cable connection due to the user's fault and failure of the product due to the facts arising from the fire, flood, earthquake, lightning and similar disasters are not under warranty.
- The consumer can apply to the arbitration committee for consumers or the consumer court where the consumer operations are made or in the residential area for the disputes to be occurred regarding the usage of the rights arising from the warranty.
- In case the dealer doesn't provide this certificate of warranty, the consumer can apply to the General Directorate of Consumer Protection and Market Surveillance of Ministry of Customs and Trade".