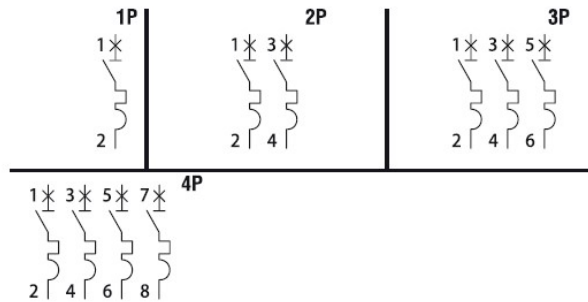


PRODUCT DATASHEET

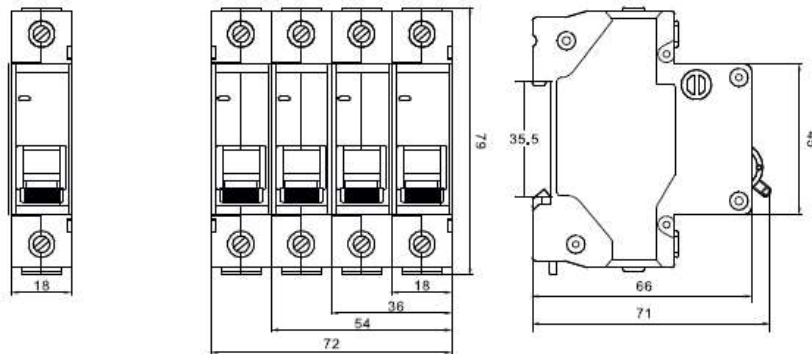


Product Name :	<i>Miniature Circuit Breaker</i>
Product Codes :	4VMB-1B02, 4VMB-1B04, 4VMB-1B06, 4VMB-1B10, 4VMB-1B16, 4VMB-1B20, 4VMB-1B25, 4VMB-1B32, 4VMB-1B40, 4VMB-1B50, 4VMB-1B63, 4VMB-1C02, 4VMB-1C04, 4VMB-1C06, 4VMB-1C10, 4VMB-1C16, 4VMB-1C20, 4VMB-1C25, 4VMB-1C32, 4VMB-1C40, 4VMB-1C50, 4VMB-1C63, 4VMB-2B06, 4VMB-2B10, 4VMB-2B16, 4VMB-2B20, 4VMB-2B25, 4VMB-2B32, 4VMB-2B40, 4VMB-2B50, 4VMB-2B63, 4VMB-2C06, 4VMB-2C10, 4VMB-2C16, 4VMB-2C20, 4VMB-2C25, 4VMB-2C32, 4VMB-2C40, 4VMB-2C50, 4VMB-2C63, 4VMB-3B06, 4VMB-3B10, 4VMB-3B16, 4VMB-3B20, 4VMB-3B25, 4VMB-3B32, 4VMB-3B40, 4VMB-3B50, 4VMB-3B63, 4VMB-3C06, 4VMB-3C10, 4VMB-3C16, 4VMB-3C20, 4VMB-3C25, 4VMB-3C32, 4VMB-3C40, 4VMB-3C50, 4VMB-3C63, 4VMB-4B06, 4VMB-4B10, 4VMB-4B16, 4VMB-4B20, 4VMB-4B25, 4VMB-4B32, 4VMB-4B40, 4VMB-4B50, 4VMB-4B63, 4VMB-4C06, 4VMB-4C10, 4VMB-4C16, 4VMB-4C20, 4VMB-4C25, 4VMB-4C32, 4VMB-4C40, 4VMB-4C50, 4VMB-4C63
Technical Specifications:	
Number of Pole	1P, 2P, 3P, 4P
Triggering Characteristic	B-C
Crosssectional area of Connection	13 mm
Rated Frequency	50/60 Hz
Breaking Capacity	4500A 230/400V AC
Insulation Voltage Ui	400V
Electrical Life	4000 on-off
Mechanic Life	10000 on-off
Protection Class	IP20
Standard and Quality Certificates	TS EN 60898-1, CE, Ukr, TSE WEEE

Connection Diagrams



Dimensions



Panasonic Electric Works Elektrik.San. ve Tic. A.Ş.
 Abdurrahmangazi Mah. Ebubekir Cad. No: 44 Sancaktepe / İstanbul Tel: 0216 564 55 55 Fax: 0216 564 55 44
 ewtr.panasonic.com